

Raymond Mill

Operating Instruction

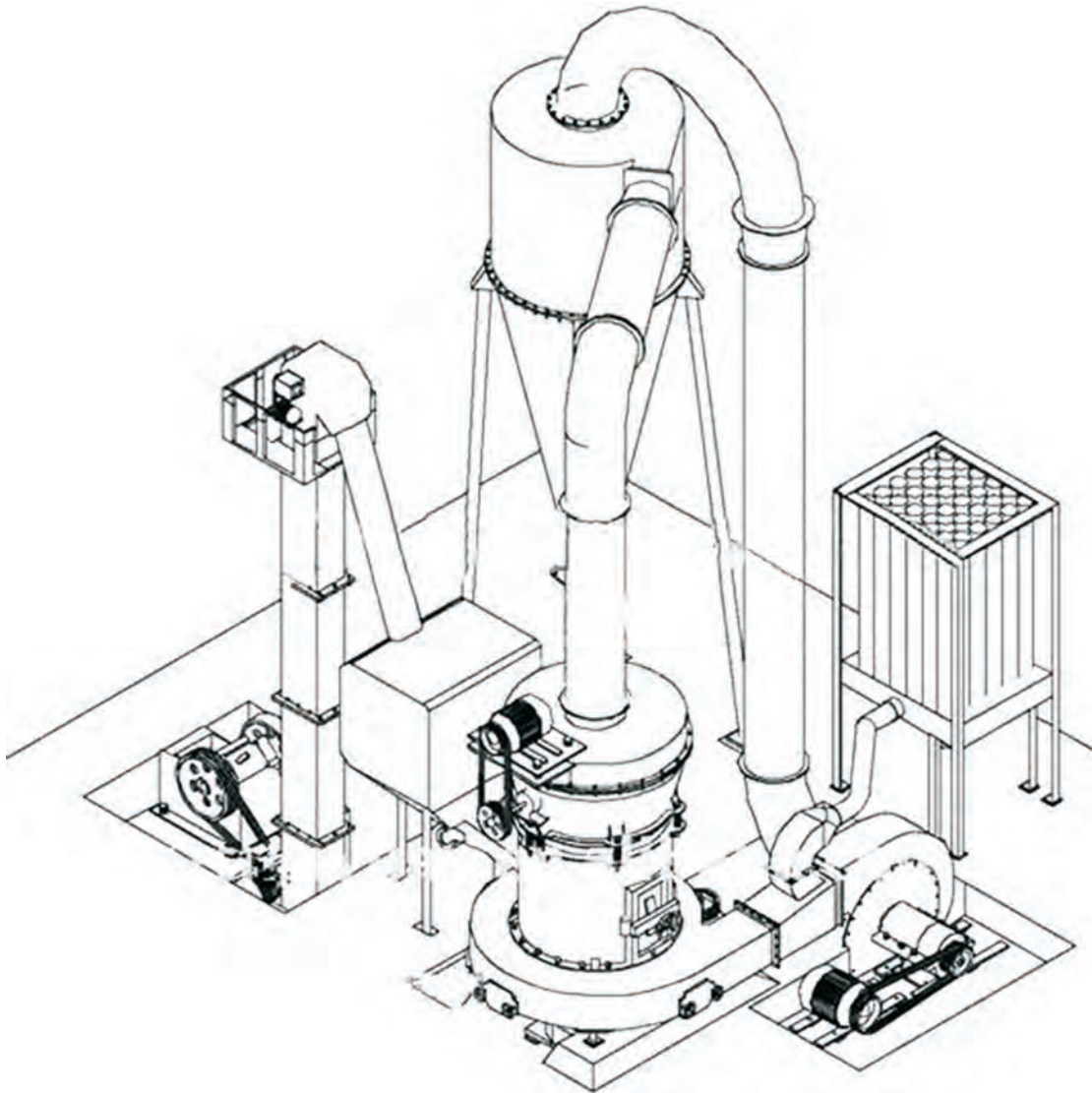


Henan Shibo Heavy Machinery Co., Ltd.

Overview

Shibo Raymond mill is widely used for grinding non-flammable and non-explosive materials whose Moh's hardness is below 9.3 and humidity less than 6% such as barite, calcite, potassium feldspar, talc, marble, limestone, dolomite, fluorite and lime,

activated clay, activated carbon, bentonite, kaolin, cement, phosphate rock, gypsum, glass and thermal insulation material in mine, metallurgy, chemistry and building industry.



Features

The quick-wear part has low consumption, so all the quick-wear part adopts good quality wear-resistant material from home and abroad, and has longer life than that of common grinding mill which can last more than one year.

The operation is safe and reliable in grinding chamber, compared with ordinary grinding mill, the grinding

cavity has no rolling, no screws, so the bearings and other seals are not easy to be damaged to avoid the problems of loosening screw and damaged machine .

The fineness of finished product is high, and one time ultimately fineness can reach $d_{97} \leq 5\mu\text{m}$.

Why choose us?

- 1 Low investment cost, under the same fineness condition, it has lower input than air current mill, lower cost and shorter recovery period.
- 2 Under the same fineness of finished products and power, its output is higher by 45% than air current mill and stirred mill.

Characteristics

Processing ability: 0.2-21 t

Feeding size: ≤ 25 mm

Product granularity: 0.125-0.010 mm

Rotate speed of central shaft: 160-180 r/min

Applied material: feldspar, talc, barite, marble, limestone, argil, etc

Working principle

The main engine of ultrafine grinding mill device is integrated the crushing, classifying with plenum. The material is crushed in crushing chamber and strictly controlled by grading room. The fineness of materials beyond standard are not through the grading room and be crushed in crushing chamber until reach to the standard, then they enter into the compartment from grading room, the wind bring the materials into a whirlwind powder set and discharged by dust filtering bag, the whole operation process is without dust.





Powder Production Line

Powder production line is made up of jaw crusher, hopper, bucket elevator, classifier, dust collector, high-pressure mill, reducer, vibrating feeder, air-blower, etc.

Technical data

Parameter	6R4525	5R4119	4R3216	3R90	3R85	3R75	3R65	3R60
				4R90	4R85			
Feeding size (mm)	≤30	≤25	≤25	≤25	≤20	≤20	≤15	≤15
Particle size of finished product (mm)	0.125-0.044	0.125-0.044	0.125-0.044	0.125-0.044	0.125-0.044	0.125-0.044	0.125-0.044	0.125-0.044
Shit output of different material fineness (t)	16-120	8-60	4-45	3-35	2-28	1.5-20	1-18	0.5-8
Diameter of pulverizing ring (mm)	82	105	130	160	160	160	180	280
Diameter of pulverizing roller (mm)	1770	1400	1073	973	885	865	725	495

Diameter of pulverizing roller (mm)	450	410	320	300	270	260	210	140
Height of pulverizing roller (mm)	250	190	160	160	150	150	150	100
Main Motor	Y315m-4-132	Y280s-4-75	Y225s-4-37	Y225m-8-30	Y225m-8-22	Y225s-8-18.5	Y200L-8-15	Y160m-6-7.5
Fan Motor	Y315m-4-132	Y250m-4-75	Y200L-4-37	Y180m-4-22	Y160L-4-15	Y160L-4-15	Y160m-4-11	Y132s-2-5.5
Analyzer motor	Y160m-4-18.5	Yc200-4B-7.5	Yc120-4a-5.5	Y112m-6-2.2	Y112m-6-2.2	Y112m-6-2.2	Y112m-6-2.2	Y90L-6-1.1





HENAN SHIBO
HEAVY INDUSTRIES



China Largest Mining
Machinery Manufacturer

✉ E-mail: sales@sbecrusher.com

☎ Telephone: +86-371-55912969

📍 Address: Wulong Industrial Park,
Zhengzhou City, Henan Province,
China